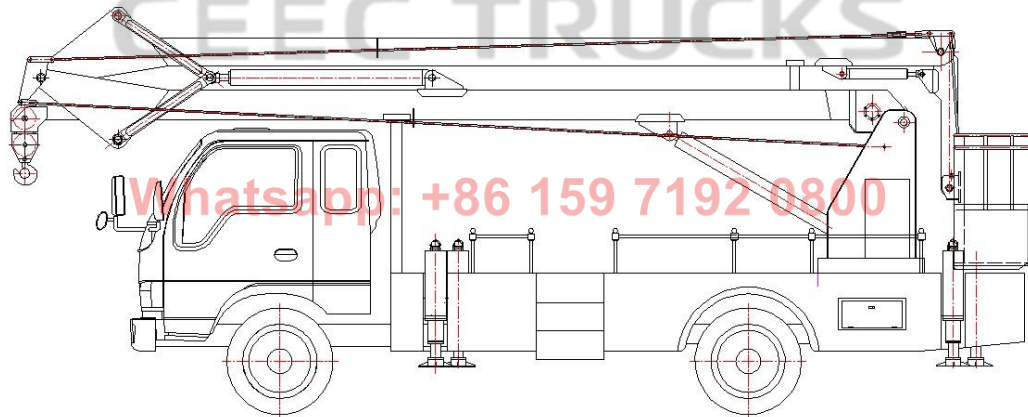


# ***Aerial Work Platform***

# ***Instruction Manual***



**CEEC TRUCKS INDUSTRY CO., LIMITED**

## **Preface**

*Thank you for purchasing CEEC TRUCKS products. For better using your bucket truck, get the best operating performance, we strongly suggest you before the operation process you could read the instructions carefully, and to manipulate the program handily.*

*The manual detailed describes the performance of bucket truck, structure, usage, precautions and maintenance of such knowledge. Before the operation, the operator should carefully read the contents of the manual.*

*After master the truck performance characteristics, methods of operation and precautions, then could start to operate this bucket truck. In order to ensure the staff turnover after the operation, and properly use of the truck. This manual book must be properly kept, shall not be lost and damage.*

# CEEC TRUCKS

**Whatsapp: +86 159 7192 0800**



# CEEC TRUCKS INDUSTRY CO., LIMITED

FACTORY: No 899, Automotive High-tech Industrial Zone, Suizhou City, Hubei, P.R. China  
 TEL: +86 136 4729 9000 FAX: +86 722 3829200  
 EMAIL: info@ceetrucks.com Web: www.ceetrucks.com

## Contents

Chapter 1, General Description .....	4
Chapter 2, Safety Warnings.....	5
Chapter 3, Main Technical Data.....	9
i , Normal Operation Conditions: .....	9
ii , Performance Parameters: .....	9
iii, Vehicle Specifications.....	9
Chapter 4, Structure Components and Working Principles .....	11
i , PTO System .....	11
ii , Slewing Rotation System .....	11
iii, Centre Slewing Joints.....	11
iv, Hydraulic System .....	11
Chapter 5, Structure Components and Working Principles .....	13
i ,Driving of the Aerial Work Platform.....	13
ii ,Pre-operational Checks.....	13
iii, Aerial Work Platform operations (Very Important) .....	13
iv, Notes & Attentions.....	20
Chapter 6, Hoist Hooker Operation .....	21
Chapter 7, Maintenance & Repair .....	22
i , Chassis Truck Maintenance .....	22
ii , Routine Checking & Maintenance .....	22
iii, Hydraulic System Checking.....	22
iv, Rob's Adjustment .....	24
v , Malfunction Analysis.....	25
Chapter 8, Lubrication .....	27
Chapter 9, Transport & Storage.....	29

## Chapter 1. General Description

*CEEC TRUCKS Aerial Work Platform mounted based on type II ISUZU chassis model QL1100TMARY, arms could reach 18 meters height of air operations, widely used in street maintenance, landscaping works, television video, communications engineering, airport, decoration, aerial advertising and other areas of need.*

*The vehicle designed to fully rely on the advantages of the original chassis, fully consider the product's convenience and reliability. Working arms in the form of three folding, the vehicle advantages of a large work area, can adapt to different working conditions' requirements. Powertrain system using hydraulic transmission fitted on slewing rotation saddle and bucket each with a separate operating system, the operation system priorities then bucket operations*

*The Aerial Work Platform equipped with overflow protection, emergency power, cylinder lock and other security devices to ensure safety operations. Cab for the single-row seat with bunk, comfortable driving. Therefore, the vehicle is an ideal multi-purpose aerial vehicle.*



**(Preview for your ISUZU Aerial Work Platform)**

## Chapter 2, Safety Warnings

**Non familiar with or Non observe the following safety warnings are likely to cause accidents!**

- Before use, you must check whether the Aerial Work Platform with normal maintenance or not. (See seven)
- Before the operation, must be assured that the truck in a solid level ground. To determine the hand brake has brake position, all the necessary accessories must be in place (such as tire pads, safety warning flags, etc.). Legs must be supported on solid ground, in order to ensure stability. If you must work on slopes situation (max 5 °), must be fully extended legs, and operated in high-slope side
- Getting on/off the truck, should use the provided the bucket ladder, running and pad.
- The operator on the bucket must wear protective safety equipment specification requirements, and fixed in a safe anchor ring.
- The protective equipment has been used by the operator must be consistent with the work requirements, must meet safety standards.
- In operating equipment such as rotary or lifting arm, etc., must be confirmed no traffic obstruction, no obstructions or around high-voltage interference.
- Make sure that the truck maintains in a certain distance and pedestrians out away from the work area. **Whatsapp: +86 159 7192 0800**
- Under the Arms/Booms is prohibited with mankind standing.
- Control valve should be operated and handled slowly, in order to achieve smooth movement, to prevent a sudden start or stop, to prevent contact with solid objects, arm and bucket work, such as tree branches, buildings, etc.
- Could not allowed the bucket in a situation of side working ,next to the bucket load, or lift from the bucket to the un-target subject, bucket prohibit to hang goods.
- Rated bucket loading 200kg, not allowed to overload. Rated load, including operators, tools, articles all of those.
- Not Allowed to stand, sitting on the edge of the bucket and human body lean on the bucket edge are prohibited either.
- The bucket not allowed putting with ladder, cushions inside, and any approach of increase



# CEEC TRUCKS INDUSTRY CO., LIMITED

FACTORY: No 899, Automotive High-tech Industrial Zone, Suizhou City, Hubei, P.R. China  
TEL: +86 136 4729 9000 FAX: +86 722 3829200  
EMAIL: info@ceetrucks.com Web: www.ceetrucks.com

*height of working are prohibited.*

- *Not allowed move the truck in the situation that bucket inside with human beings, otherwise it will lead to personal injury.*
- *Truck in moving or running, the arms and legs must be in the normal contraction.*
- *As operation or malfunction is found, please report immediately to the manufacturer.*

## NOTICE:

***Chassis platform as the angle of more than 5 ° the bucket truck shall not allowed be operated.***

***Human beings not allowed near with the hydraulic legs when the truck in working condition, otherwise it will cause injury.***

***Drinking or unconsciousness person prohibited to operate the truck.***

## WARNING:

***Side level force working on the bucket may cause disastrous, lead result in casualties.***

## ***To Dear Operator'***

*The letter is to enable the operator to understand of controlling of the Aerial Work Platform allows the operator to use the equipment effectively and safely. Before operation, you must be fully read with this manual. Any lifting equipment operated by untrained or careless user, are potentially dangerous.*

*The Aerial Work Platform hydraulic system designed advanced, with a safe and reliable tech. However, any equipment without maintenance could not keep the equipment in good working condition, the operation will potentially dangerous. So you are familiar with the equipment itself before the operating process goes. Any unclear changes or operations for this bucket truck, you must immediately report to the superiors or notify the manufacturer.*

*Observe the following regulations can ensure maximum operational safety, reduce downtime, and last the equipment's life.*

- 1. Only trained operators will be allowed to induction operation. Training includes safety procedures, mechanical principles, methods of operation and troubleshooting.*
- 2. Operator must be thoroughly familiar with the manual, especially on the part of the safety regulations*
- 3. Inspection in accordance with the instructions in the manual car operation.*
- 4. Only qualified spare parts allows use of change for this truck, qualified mechanic or dealer allowed for repairing work.*

**Whatsapp: +86 159 7192 0800**



# CEEC TRUCKS INDUSTRY CO., LIMITED

FACTORY: No 899, Automotive High-tech Industrial Zone, Suizhou City, Hubei, P.R. China  
TEL: +86 136 4729 9000 FAX: +86 722 3829200  
EMAIL: info@ceetrucks.com Web: www.ceetrucks.com

## WARNING:

*To alert that occur during all hazardous conditions, it is impossible. Operator is ultimately responsible for the safety of those. In case of emergency, you should use the experience to make the right judgments. The operator needs to comply with local regulations and relevant provisions.*

*Operating the Aerial Work Platform must be strictly in accordance with condition graph operations that otherwise result in serious injuries.*

CEEC TRUCKS

## DAGNER!

*No matter what position the first arm's in, the second arm cannot exceed the maximum lift angle of 70 °, otherwise it may cause personal injury work causing by bucket tipping.*



## Chapter 3, Main Technical Data

### i , Normal Operation Conditions:

- 1 Ambient Temperature:  $-20^{\circ}\text{C} \sim 45^{\circ}\text{C}$
- 2 Wind force scale limited within level six
- 3 Workplace should be a solid formation, legs must be supported in real soil, slope  $\leq 5$
- 4 Operations must be in the horizontal situation

### ii , Performance Parameters:

1、 Max Lifting Height	18m
2、 Min. Working radius	10m
3、 Bucket Loading Capacity	200kg
4、 First Arm/Boom Lifting Angle	$0^{\circ} \sim 70^{\circ}$
5、 Second Arm/Boom Lifting Angle	$0^{\circ} \sim 67^{\circ}$
6、 Third Arm/Boom Lifting Angle	$0^{\circ} \sim 90^{\circ}$
7、 Slewing Angle	$360^{\circ}$
8、 Slewing speed	$\leq 180^{\circ}/\text{min}$
9、 Max Hoist Capacity	1000kg
10、 Second Arm/boom lifting speed	0.08~0.15m/s
11、 First Arm/boom lifting speed	0.20~0.25m/s
12、 Hoist speed	0.15~0.20m/s
13、 Arms Type	Three arms folded

Whatsapp: +86 159 7192 0800

### iii, Vehicle Specifications

1、 Main Measurements	
Overall Dimension	8400x2270x3450mm



# CEEC TRUCKS INDUSTRY CO., LIMITED

FACTORY: No 899, Automotive High-tech Industrial Zone, Suizhou City, Hubei, P.R. China  
TEL: +86 136 4729 9000 FAX: +86 722 3829200  
EMAIL: info@ceetrucks.com Web: www.ceetrucks.com

---

*Wheelbase* 4175mm

## 2、Weights Information

*G.V.W* 8500 kg  
*N.V.W* 4955kg

## 3、Performance Characteristics

*Chassis Model* QL1100TMARY  
*Seats Nos.* 3 people Allowed  
*Ground Clearance* 235mm  
*Max Speed (Limited)* 95Km/h



# CEEC TRUCKS

**Whatsapp: +86 159 7192 0800**

## Chapter 4, Structure Components and Working Principles

### i , PTO System

*PTO system consisted of the oil pump, PTO, electrical control switches and pneumatic solenoid valve. The system working in output the power to oil pump storage as a hydraulic energy. This system is controlled by a on/off switch that installed in the driving cab, through the interior of the switch's joint or separation, lead the gear be driven from the transmission make the pump stop or working.*

**Attention: Truck in driving, PTO should be in position of OUT-OFF transmission; make sure the oil pump not in RUNNING.**

### ii , Slewing Rotation System

*Slewing rotary system consisted by the hydraulic motor, gear reducer, slewing gear, etc. The system worked as: hydraulic motor drive the reducer, the small gear, in reducer output shaft, drive the slewing ring move, and slew the saddle turnable.*

**Whatsapp: +86 159 7192 0800**

### iii, Centre Slewing Joints

*The center slewing joints, installed in the center of rotatory saddle, achieved the oil and electric power through the truck. As the system equipped with rotatory rings, the hydraulic oil pipes and electric wires would not twisted together.*

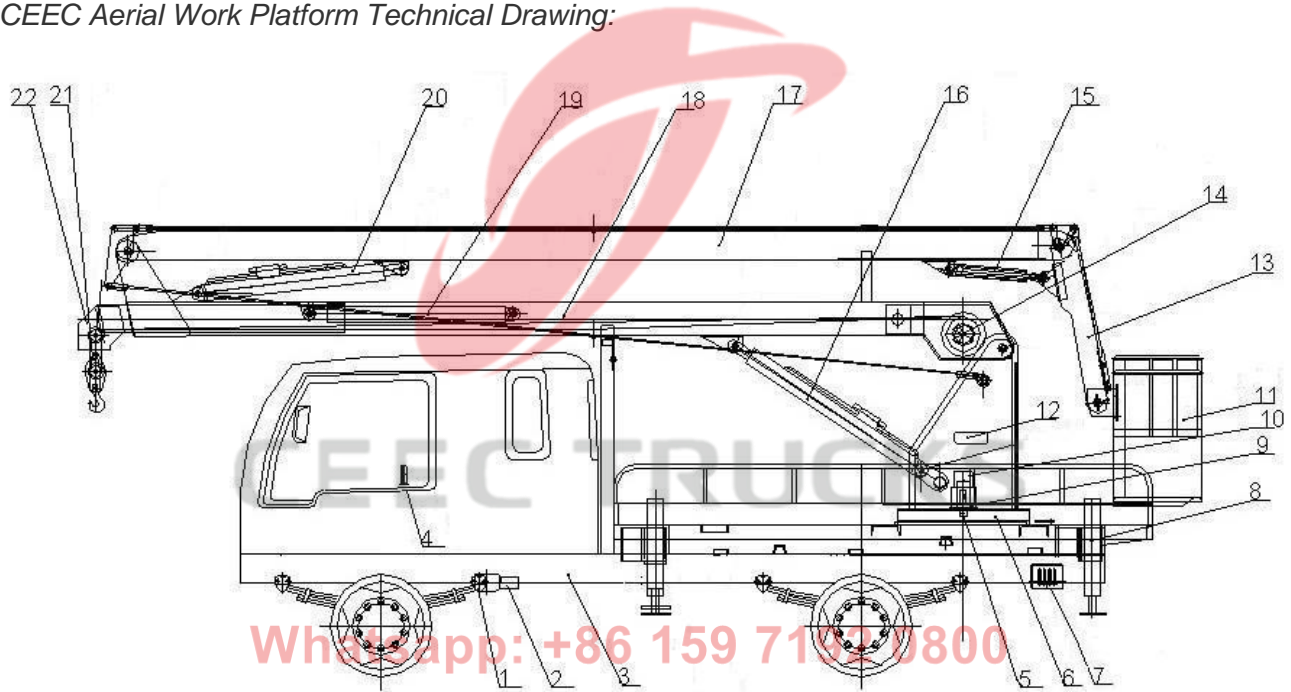
### iv, Hydraulic System

*The hydraulic system hydraulic oil supplied by ONE pump, worked pressure at 14Mpa, flux as 25L/Min, the pressure adjustable by a overflow valve.*

When the PTO coupling with the transmission ,the pump will in a situation of running, the oil output from the oil tank to all the legs which controlled by a control valve equipped in the control panel.

Finished leg operation, handle the operation poke into position marked as, then, the oil would derived from leg system to “To arms” , and the upper control panel would be active, then could start the next operation works.

CEEC Aerial Work Platform Technical Drawing:



- |                                  |                                  |                                |
|----------------------------------|----------------------------------|--------------------------------|
| 1. PTO                           | 2. Oil Pump                      | 3. ISUZU Chassis               |
| 4. Hand brake                    | 5. Rotary Center Joint           | 6. Slewing Support             |
| 7. Hydraulic Leg Control box     | 8. Hydraulic Legs                | 9. Slewing Reducer             |
| 10. Hydraulic Motor              | 11. Bucket                       | 12. Arms Control Box           |
| 13. 3rd Arm ( <b>Bucket</b> )    | 14. Swing Mechanism              | 15. 3rd Arm Hydraulic Cylinder |
| 16. 1st Arm Hydraulic Cylinder   | 17. 2nd Arm ( <b>Upper Arm</b> ) |                                |
| 18. 1st Arm ( <b>Lower Arm</b> ) | 19. Lifting Cylinder             |                                |
| 20. 2nd Arm Hydraulic Cylinder   | 21. Lifting Arm                  | 22. Lifting Hook               |

## Chapter 5, Structure Components and Working Principles

*The operator should fully understand all control mechanism to operate vehicle properly. Only trained person can operate this vehicle to prevent unnecessary accidents and equipment damage.*

### i ,Driving of the Aerial Work Platform

- *Read the chassis manual and in which of chassis technical data before driving.*
- *Check if the joystick of PTO has separated to gear of vehicle before driving.*
- *The boom must be on the support arm resting place, the legs must be incorporated enough before driving.*
- *Inspection and maintenance should been carried out according to normal requirement before driving.*

### ii ,Pre-operational Checks

- *Check if this vehicle complies with “normal working conditions” of instructions or not.*
- *Check if all connected components of this fastener is solid or not.*
- *Check if all components are lubricated as required or not.*
- *Check if filling hydraulic oil and opening the oil discharging valve or not.*
- *Check engine is in normal or not.*

### iii, Aerial Work Platform operations **(Very Important)**

*1、Tighten the **hand brake**, pulling the transmission to neutral position, engine idling, paddling the clutch, pulling the throttle lever equipped in left hand side of the cabin, coupling the PTO, oil pump start working , observing the if the pump with abnormal noise, vibration, oil leakage or other abnormal situations. Idle vehicle in a few minutes and then operate it in cold weather conditions.*

Following show the Hand Brake & working principle:



The Joystick at **UPPER** place  
 The aerial platform **cannot work**.

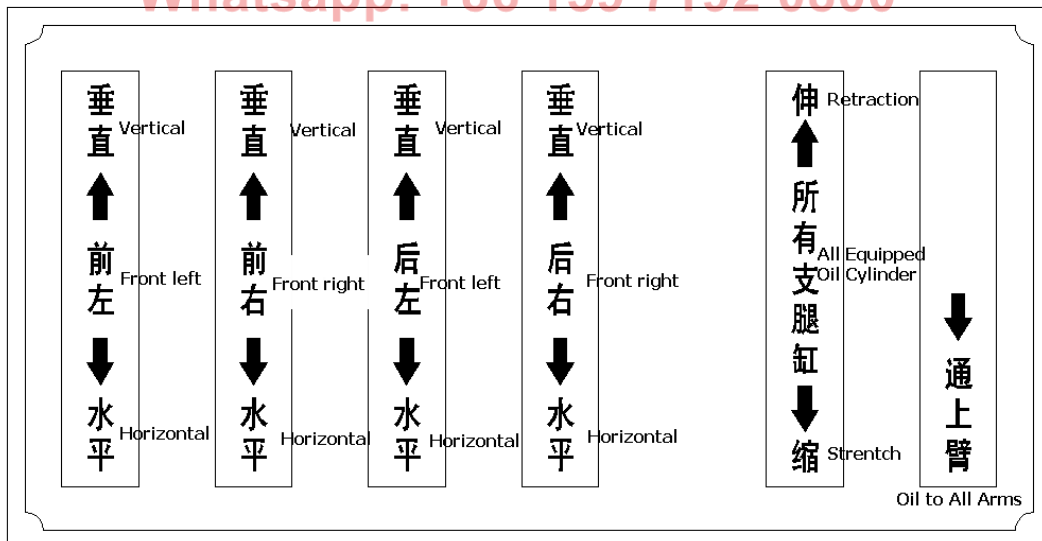
The Joystick at **LOWER** place  
 The aerial platform **can work**

**Note: When not use the aerial platform, please keep the Joystick at UPPER place!  
 When use the aerial platform, please keep the joystick at LOWER place firstly!**

2. Following the instruction as following figures, firstly operating the legs.

**Note: The operation must follow the direction step by step!**

Whatsapp: +86 159 7192 0800





**1      2      3      4                      5      6**

Joysticks 1-4: Control the four legs move **Vertically & Horizontally**

Joysticks 5: Control the four legs to **Retraction & Stretch**

Joysticks 6: Change the hydraulic pump to control the **Lower four legs or the upper platform.**

**Whatsapp: +86 159 7192 0800**

### 2.1、 Hydraulic Legs Horizontally Stretching

Handle the joysticks 1-4 what labeled as "**Vertical, Horizontal,**" in the position of Horizontal, then toggle the Retraction Joysticks, eggs in moving horizontally. When operation, should read the pressure gauge changes, if the gauge showed pressure increased violently, it means the legs had totally retracted.

After the legs retracted fully, free the joystick 5 which labeled as "Retraction/Stretch". Then replace the all four joysticks 1-4 to the middle position, legs horizontally operation finished.



**The Arrow in the picture show the Hydraulic legs horizontal direction move**

## 2.2、 Hydraulic Legs Vertically Stretching

Back in place until the other legs on the ground, and then were to use all four legs of the handle to adjust the level of control has been transferred to level up, and make sure that tire off the ground about 10mm. After confirmation leveling off, will be "horizontal, vertical," words put in the middle place, before the next step.



**The Arrow in the picture show the Hydraulic legs horizontal direction move**



Operating leg action should be guided by this principle:

**When start working,**

1. Firstly stretch the horizontal leg,
2. Then stretch the vertical leg.

**When finish working,**

1. Firstly retraction the vertical legs,
2. Then retraction the horizontal legs.

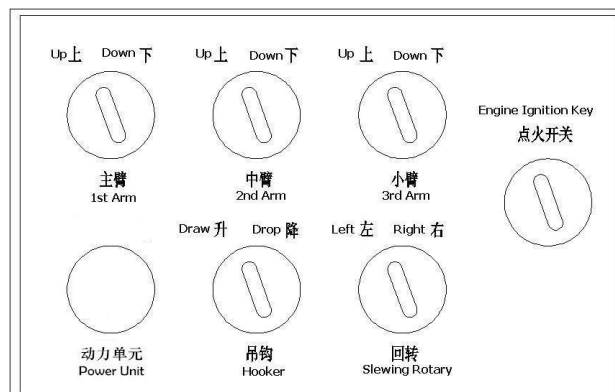
Failure to do so will damage the vehicle or even legs. Stretch the leg must avoid any people to be suppressed.

3、Truck Panel Operation (**Remember to put Joystick 6 at TO ARMS place**)

**Notice: Operate Bucket firstly, then Upper Arm, finally the Lower Arm.**

3.1 Aerial Platform Operation. After the confirmation off operation, the control valve off "through the upper arm," the handle into the direction of the arrow, you can be on the train operation. Corresponding signs on the train operating personnel shown in follow, the "boom" hit "on" position to rise to the main arm, hit "down" position that is the main arm back to the place. "In arms", "arm" is the same. "Boom" and "I", "revenue" is to control the telescopic arm rose out of and back. "Hook" and "I", "down" is to connect telescopic main boom lift and fall with.

"Rotation", "left" and "right" is to make the coat is part of the arm and bucket operations connected with the work platform to the left to right rotation.





Button 1st Arm: Control the **Lower Arm**

*Thirdly operate this button to make Lower Arm at suitable place!*

Button 2nd Arm: Control the **Upper Arm**

*Secondly operate this button to make Upper Arm at suitable place!*

Button 3rd Arm: Control the **Bucket**

*Firstly operate this button to make Bucket at suitable place!*

Button Rotary: Control the **Aerial Platform Rotation**

*Operate this button to make the whole Aerial Platform Rotation!*

Button Hook: Control the **Lifting Hook**

*Operate this button to make the Lifting Hook go UP & DOWN!*

Button Power Unit: **JUST FOR EMERGENCY**

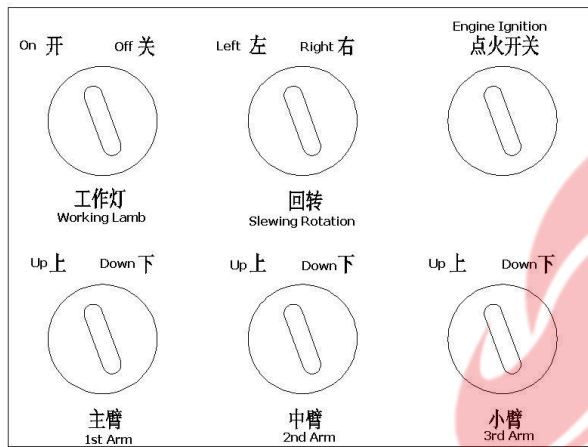
*Operate this button to make All Arms & Hydraulic Legs back only when something wrong the chassis engine.*

Ignition Key: Control the **Engine to Work**

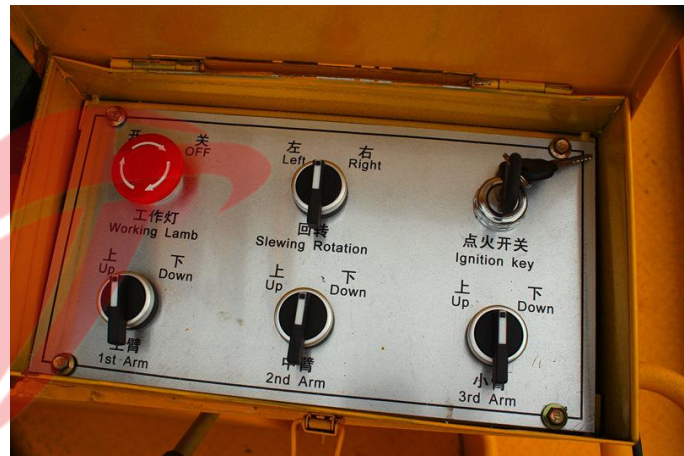
*Operate Ignition Key to start the engine and make aerial platform to work!*

#### 4、 Bucket operation (Similar like the Truck Panel Operation)

Reference to the truck operates shown in following. Corresponding to the action essentials above. Bucket operation, first should manipulate the column switching valve up moved. During operation, operating off legs must always push the valve handle distribution "through the upper arm", turn the valve operating handle must always be assigned into the "bucket", or bucket truck operator cannot carry out actions on the job.



Technical Drawing



the Control Box on Bucket

# CEEC TRUCKS



The red button in cab can make the light on rear Hydraulic Leg to WORK

**WARNING: When operating this bucket truck, the 3rd arm should be lift firstly, and raised the 2nd arm 2 meters approx., finally lift the 1st arm. Then the 3rd arm renewed after. Operations 3rd arm to fold is strictly prohibited.**

## 5、Retractable bucket

After operation, firstly turn down the lower arm upper arm, forearm and then close. Parked in the lower arm and accurate arm resting on the support after the operation for retracting legs, and then torn off and power take off gear. After all arms & hydraulic legs at suitable place then you can drive.

**The Joysticks on Truck Panel & Bucket can make the arms lifting faster.  
 (Please use it with great caution)**



## iv, Notes & Attention

- Outrigger operation, the level of the legs must be stretched and then stretched the vertical leg. After finishing, the vertical leg must be reduced, the level of the legs
- Get off the first operation, and then operating on the truck. After the first collection on the truck, and then close off.
- When Arm in work, rising the first arm and then moves the arm up and down the arm.
- Staff into the work bucket, must wear seatbelts, not overloaded.
- People who arrange operation on the ground cannot leave

## Chapter 6, Hoist Hooker Operation

Operators can take advantage of the boom arm to lift materials. Crane has a load table, the rated lifting capacity.

Operator must memorize the amount of work lifting the truck for Lifting, you should know the hanging weight of the goods compared with the rated load when lifting goods, first it is lifted into place, then the percentage change in use to achieve the lower arm in place. At this point, the goods should not be hanging over the lower arm angle in this piece, the maximum permitted rated load.

### - WARNING -

**When using the crane must comply with the following regulations, such as failure to comply with these regulations will be the make operator and ground crew injury.**

- Lifting, lifting hoists are not allowed to exceed the rated load indicated in the table.
- Weight lifting is not allowed to load unknown goods.
- It will not allow pulling the side, except for what happened with the operator's side of the physical tension.
- Operating vehicles are not allowed to use pole, pull cables, etc., should be special device to do this work.
- Be sure to replace worn or damaged winch rope immediately
- Mankind prohibited standing in the bucket when hoist hooker working.
- The correct command is the basis for lifting should be planned and prepared.
- To comply with the procedures provided in this manual to ensure the stability of operating vehicles.

## Chapter 7, Maintenance & Repair

*To make the vehicle in good condition and improve the service life, you need regularly maintenance and repair. Find fault and solve in time to prevent accidents.*

### **i , Chassis Truck Maintenance**

- *Based on the instruction of the chassis.*

### **ii , Routine Checking & Maintenance**

- *Visual appearance, to determine the shape is good, whether the hydraulic components and piping leaks oil traces, if any leakage, the timely replace seals.*
- *Check the key components and fasteners loose coupling, and timely fastening.*
- *According to the lubrication sheet lubrication requirements for all components, check the hydraulic oil tank.*
- *Check the hydraulic hoses for wear, loose connections or oil leakage. In particular, especially on the pipeline.*
- *Check all welding point, especially bucket; arm, turntable, and other key parts of the weld rod have hairline cracks or cracks. If so, you should immediately stop and inform using the company's maintenance notice, are not allowed to weld personally .*

### **iii, Hydraulic System Checking**

#### **1、 Filter**

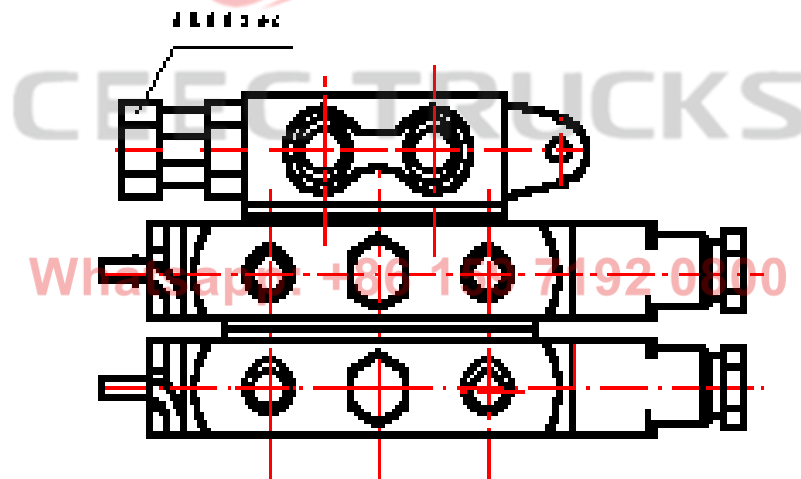
*Operating vehicles used for the first month (not less than four hours a day) to be replaced after the oil and return oil filter oil filter, clean the filter. Oil contamination is found, replace the hydraulic oil must be filtered before or after a thorough re-injection.*

## 2、The relief valve

Rated operating pressure of the truck is 14MPa, overflow pressure is between 16 ~ 17.5Mpa, operating vehicles over time, due to possible contamination of hydraulic oil to the oil filter oil filter or filter plug back pressure is low or there excessively high, then the staff should be cleaning the filter. Should the pressure is still too low, then the relief valve cannot shut, legs should be clean and adjust operation of the valve on the relief valve. Relief valve adjusted at the factory, usually without adjustment. For adjustment, it shall ask an experienced technician. Pressure adjustment is wrong, the vehicle will not work, or shorten the pump life and cause failure.

### 2.1 Pressure Adjustment

Make sure that truck stopped working, and *not move*. Unscrew the relief valve with a wrench on the cover sheet, which has a slotted cylindrical plug, use a flathead screwdriver to adjust them, the pressure increases, otherwise, counterclockwise pressure. System pressure reading is: stretch or shrink the legs in place, continue to operate, a sudden increase in pressure gauge, the value is reflected in the overflow system pressure. Note: when legs in place, the handle a little later, the observed data should immediately release it.



### 2.2 Relief valve cleaning

With 30 of the relief valve open or box end wrench to unscrew the whole body, with a clean gauze blocked ports, to prevent large oil spill, then press the top with a cross from the pressure inside the spool, back and forth several times, and add a little hydraulic fluid until the impurities discharged from the hole and remove impurities. At this point blown this end with mouth should not leak. (Be

# CEEC TRUCKS INDUSTRY CO., LIMITED

FACTORY: No 899, Automotive High-tech Industrial Zone, Suizhou City, Hubei, P.R. China

TEL: +86 136 4729 9000

FAX: +86 722 3829200

EMAIL: info@ceetrucks.com

Web: www.ceetrucks.com

careful not to move other parts of the hydraulic system to prevent the influence of pressure)

### 3. Hydraulic oil check

Hydraulic system reliability and life of hydraulic components and hydraulic oil system cleanliness has an extremely close relationship. Most of the hydraulic system failures are due to impurities within the hydraulic oil caused, so keep the fluid in use and regularly check the oil cleanliness is very important.

Oil-based inspection method can be used intuition, if oil color, fog, haze or smell, the oil has become bad. Drop of oil on the hot plate, if the sound burst the water too much, then be replaced with new oil. Generally changed every six months, three months to clean the filter once.

Timely check the oil temperature should not exceed 60 °C. If that cannot maintain the value of oil continues to rise, they should immediately stop checks.

### iv, Rob's Adjustment

Prolonged use of vehicle operation, the amount of deformation due to their own bar will appear loose, there will be two rod tightness, cannot result in fighting to maintain a balance, and you should adjust to the rod. Adjust the time using visual and hands.

Observe the rod hand touch the tightness of each of two steel bar with a wrench to adjust the adjustment nut clockwise to tighten, counterclockwise to loose, until leveling up.

**Note: Staff must be checked before the operation lever, and the requirements must be thoroughly inspected once a month.**





# CEEC TRUCKS INDUSTRY CO., LIMITED

FACTORY: No 899, Automotive High-tech Industrial Zone, Suizhou City, Hubei, P.R. China  
 TEL: +86 136 4729 9000 FAX: +86 722 3829200  
 EMAIL: info@ceetrucks.com Web: www.ceetrucks.com

## v , Malfunction Analysis

<i>Malfunction</i>	<i>Possible Reason</i>	<i>Solution</i>
<i>Handle holded, cylinder does not move or move slowly.</i>	<ul style="list-style-type: none"> <li>➤ <i>PTO does not hang up the work file</i></li> <li>➤ <i>Pump damage</i></li> <li>➤ <i>Low pressure for relief valve.</i></li> <li>➤ <i>Suction filter blocked or tank liquid level is too low</i></li> <li>➤ <i>Cylinder or rotary infiltration within the central connector</i></li> <li>➤ <i>Engine speed is low, oil less than the system supply</i></li> </ul>	<ul style="list-style-type: none"> <li>➤ <i>Turn on power take off switch</i></li> <li>➤ <i>Replacement or repair</i></li> <li>➤ <i>Increase the pressure on</i></li> <li>➤ <i>Clean and change oil filter, oil</i></li> <li>➤ <i>Examined in order</i></li> <li>➤ <i>repair the Engine</i></li> </ul>
<i>Hydraulic system noise sound serious, severe beating pressure gauge pointer</i>	<ul style="list-style-type: none"> <li>➤ <i>Oil level is too low, inhaling air into the oil pipeline</i></li> <li>➤ <i>Oil filter or oil flow valve obstruction caused by poor hole</i></li> <li>➤ <i>Uneven pump operation</i></li> <li>➤ <i>Oil temperature is low or the oil has gone</i></li> </ul>	<ul style="list-style-type: none"> <li>➤ <i>Add a little hydraulic oil, the pipeline leaks mended; then load cycle times, cylinder movement to the limit position, to exclude air.</i></li> <li>➤ <i>Clean filter or valve replacement</i></li> <li>➤ <i>Repair or replace the pump</i></li> <li>➤ <i>Low speed pump, or replace the oil with new oil heating</i></li> </ul>
<i>Boom sink</i>	<ul style="list-style-type: none"> <li>➤ <i>Balancing valve failure</i></li> <li>➤ <i>The fuel tank vent</i></li> <li>➤ <i>Fittings leak</i></li> </ul>	<ul style="list-style-type: none"> <li>➤ <i>Balancing valve replacement</i></li> <li>➤ <i>Replace the seals or the exclusion of other causes</i></li> <li>➤ <i>Tighten fittings or replace seals</i></li> </ul>

Whatsapp: +86 159 7192 0000



# CEEC TRUCKS INDUSTRY CO., LIMITED

FACTORY: No 899, Automotive High-tech Industrial Zone, Suizhou City, Hubei, P.R. China  
 TEL: +86 136 4729 9000 FAX: +86 722 3829200  
 EMAIL: info@ceetrucks.com Web: www.ceetrucks.com

<p><i>Oil temperature is too high</i></p>	<ul style="list-style-type: none"> <li>➤ <i>At full capacity too often</i></li> <li>➤ <i>Overflow relief valve pressure is too high, the system component parts are often subject to high impact</i></li> <li>➤ <i>Pump speed is too high</i></li> <li>➤ <i>High viscosity</i></li> <li>➤ <i>serious leaking</i></li> </ul>	<ul style="list-style-type: none"> <li>➤ <i>Appropriate parking cooling</i></li> <li>➤ <i>Adjust the pressure relief valve</i></li> <li>➤ <i>Appropriate to reduce engine speed</i></li> <li>➤ <i>For a suitable viscosity hydraulic oil</i></li> <li>➤ <i>Check the hydraulic components</i></li> </ul>
<p><i>Legs sinking or driving status automatically retracts legs stretched out</i></p>	<ul style="list-style-type: none"> <li>➤ <i>The fuel tank vent</i></li> <li>➤ <i>Fittings leak</i></li> <li>➤ <i>Hydraulic lock failure</i></li> </ul>	<ul style="list-style-type: none"> <li>➤ <i>Replacement of cylinder seal or the exclusion of other causes</i></li> <li>➤ <i>Tighten fittings or replace seals</i></li> <li>➤ <i>Replacement of hydraulic lock</i></li> </ul>

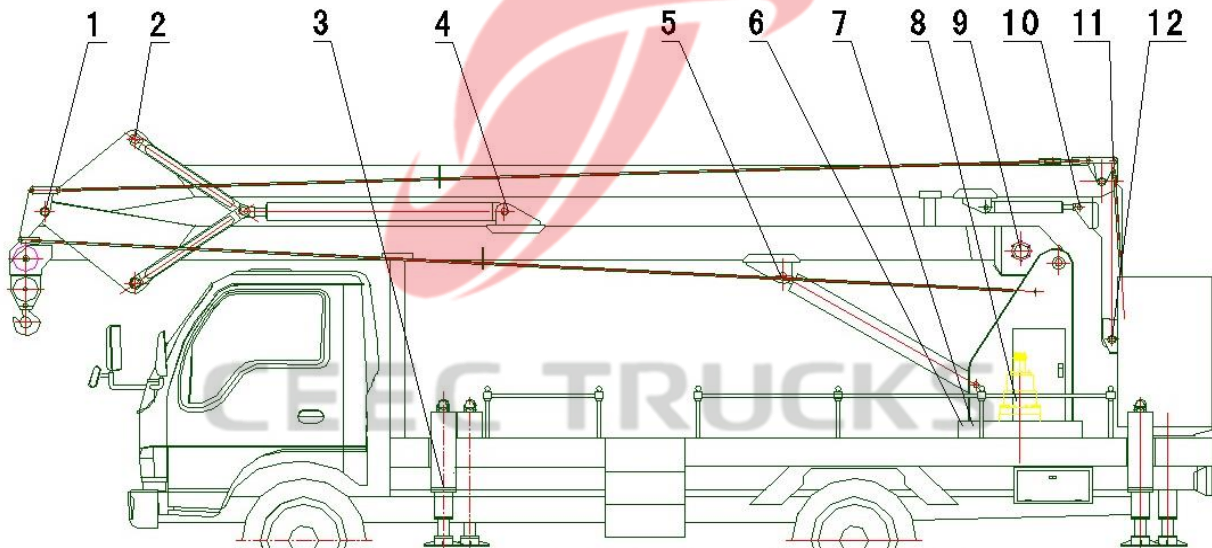
# CEEC TRUCKS

**Whatsapp: +86 159 7192 0800**

## Chapter 8, Lubrication

Please lubricate all main parts according to the following table in order to increase of service life of all parts. The chassis lubrication should be operated with chassis manual.

Lubrication Table



Whatsapp: +86 159 7192 0800

序号 NO.	部位 Name	润滑点数 Lubrication Points	润滑方式 Lubrication System	润滑油种类 Lubrication models	润滑周期 Lubrication Cycle
1	上下臂轴 Up/down arm axle	2	注油 Oiling	钙基润滑脂 ZG-3 Calcium-based grease ZG-3	1月 1month
2	连杆轴 Shaft	4	注油 Oiling	钙基润滑脂 ZG-3 Calcium-based grease ZG-3	1月 1month
3	活动支腿 Outrigger	接触各点 Contact points	适量涂油 Amount of oiled	钙基润滑脂 ZG-3 Calcium-based grease ZG-3	1月 1month
4	上变幅缸铰点 Hinge point on the cylinder amplitude	2	注油 Oiling	钙基润滑脂 ZG-3 Calcium-based grease ZG-3	1月 1month



# CEEC TRUCKS INDUSTRY CO., LIMITED

FACTORY: No 899, Automotive High-tech Industrial Zone, Suizhou City, Hubei, P.R. China

TEL: +86 136 4729 9000

FAX: +86 722 3829200

EMAIL: info@ceetrucks.com

Web: www.ceetrucks.com

CEEC TRUCKS

5	下变幅缸铰点 Hinge point under the cylinder amplitude	2	注油 Oiling	钙基润滑脂 ZG-3 Calcium-based grease ZG-3	1 月 1month
6	回转支承齿面 Slewing ring gear flank	四周 All sides	涂油 oiled	钙基润滑脂 ZG-3 Calcium-based grease ZG-3	1 月 1month
7	回转支承 Slewing ring	2	注油 Oiling	钙基润滑脂 ZG-3 Calcium-based grease ZG-3	1 月 1month
8	回转减速机 Slewing reducer	1	注油 Oiling	工业齿轮油 90# Industrial gear oil 90 #	6 月 6month
9	起升卷扬机 Lifting hoist	1	注油 Oiling	工业齿轮油 90# Industrial gear oil 90 #	6 月 6month
10	小臂变幅缸铰点 Small boom Hinge point on the cylinder amplitude	2	注油 Oiling	钙基润滑脂 ZG-3 Calcium-based grease ZG-3	1 月 1month
11	拉杆各轴铰点 Hinge point of the rod axis	16	注油 Oiling	钙基润滑脂 ZG-3 Calcium-based grease ZG-3	1 月
12	小臂及吊篮各铰点 Small boom and the hinge point basket	2	注油 Oiling	钙基润滑脂 ZG-3 Calcium-based grease ZG-3	1 月

CEEC TRUCKS

Whatsapp: +86 159 7192 0800

## Chapter 9, Transport & Storage

*The overhead working truck drives in short distance while which should be transported by train and other transportation tools for long distance. The necessary Antifreeze and water-resistant measures should be down while it is fixed on transportation tools tightly.*

- *The outriggers strengthen for protecting front and rear axle's springs when the overhead working truck no using in short time and which should be taken following storage in long time no using situation.*
- *Wiping off the dust and grease the body often for keeping cleans.*
- *All tires are with required pressure and paved with wood for offing the ground, meanwhile, the boom cylinder rod fully retracted to the shortest position.*
- *Battery should be stored in a dry ventilated place after removed from truck and been checked and charged regularly.*
- *Observation of unload movement of all parts after engine started monthly for checking normal or not.*
- *The overhead working truck should be stored in the warehouse and which should be covered with waterproof cloth if placed in the open air. Inspection should be strengthen for truck in wet areas or wet season to prevent leaks corrosion and freezing in winter should be down to prevent sand.*

**Whatsapp: +86 159 7192 0800**